

# ChargePoint® CPF50 Level 2 Charging Stations for Fleet

Specifications and Ordering Information





We Make EV Easy™



## Hardware

| Description   |   | Order Code                             |
|---------------|---|--|
| USA Models    | Single Port, J1772, Wall, 5.4m (18') Cable                                  | CPF50-L18-GW-USA                       |
|               | Single Port, J1772, Pedestal, 5.4m (18') Cable                              | CPF50-L18-PEDMNT-GW-USA                |
|               | Single Port, J1772, Pedestal 5.4m (18') Cable with 6' Cable Management Kit  | CPF50-L18-PEDMNT-CMK6-GW-USA           |
|               | Dual Port, J1772, Pedestal, 5.4m (18') Cable                                | CPF50-L18-PEDMNT-DUAL-GW-USA           |
|               | Dual Port, J1772, Pedestal, 5.4m (18') Cable with 6' Cable Management Kit   | CPF50-L18-PEDMNT-CMK6-DUAL-GW-USA      |
|               | Single Port, J1772, Wall, 5.4m (18') Cable with 6' Cable Management Kit     | CPF50-L18-WALLMNT-CMK6-GW-USA          |
|               | Single Port, J1772, Wall, 7.0m (23') Cable                                  | CPF50-L23-GW-USA                       |
|               | Single Port, J1772, Pedestal, 7.0m (23') Cable                              | CPF50-L23-PEDMNT-GW-USA                |
|               | Single Port, J1772, Pedestal, 7.0m (23') Cable with 8' Cable Management Kit | CPF50-L23-PEDMNT-CMK8-GW-USA           |
|               | Dual Port, J1772, Pedestal, 7.0m (23') Cable                                | CPF50-L23-PEDMNT-DUAL-GW-USA           |
|               | Dual Port, J1772, Pedestal, 7.0m (23') Cable with 8' Cable Management Kit   | CPF50-L23-PEDMNT-CMK8-DUAL-GW-USA      |
|               | Single Port, J1772, Wall, 7.0m (23') Cable with 8' Cable Management Kit     | CPF50-L23-WALLMNT-CMK8-GW-USA          |
|               | Single Port, NACS, Wall, 7.0m (23') Cable                                   | CPF50-L23-GW-NACS-USA                  |
|               | Single Port, NACS, Pedestal, 7.0m (23') Cable                               | CPF50-L23-PEDMNT-GW-NACS-USA           |
|               | Dual Port, J1772, Pedestal, 7.0m (23') Cable                                | CPF50-L23-PEDMNT-Dual-GW-NACS-USA      |
|               | Dual Port, J1772, Pedestal, 7.0m (23') Cable with 8' Cable Management Kit   | CPF50-L23-PEDMNT-CMK8-Dual-GW-NACS-USA |
| Canada Models | Single Port, Pedestal 5.4m (18') Cable                                      | CPF50-L18-PEDMNT-GW-CAN                |
|               | Single Port, Pedestal 5.4m (18') Cable with 6' Cable Management Kit         | CPF50-L18-PEDMNT-CMK6-GW-CAN           |
|               | Dual Port, Pedestal, 5.4m (18') Cable                                       | CPF50-L18-PEDMNT-DUAL-GW-CAN           |



We Make EV Easy™



|                      |  |  |
|----------------------|--|--|
|                      | Dual Port, Pedestal, 5.4m (18') Cable with 6' Cable Management Kit                               | CPF50-L18-PEDMNT-CMK6-DUAL-GW-CAN      |
|                      | Single Port, Wall, 5.4m (18') Cable with 6' Cable Management Kit                                 | CPF50-L18-WALLMNT-CMK6-GW-CAN          |
|                      | Single Port, Pedestal, 7.0m (23') Cable  | CPF50-L23-PEDMNT-GW-CAN                |
|                      | Single Port, Pedestal, 7.0m (23') Cable with 8' Cable Management Kit                             | CPF50-L23-PEDMNT-CMK8-GW-CAN           |
|                      | Dual Port, Pedestal, 7.0m (23') Cable  | CPF50-L23-PEDMNT-DUAL-GW-CAN           |
|                      | Dual Port, Pedestal, 7.0m (23') Cable with 8' Cable Management Kit                               | CPF50-L23-PEDMNT-CMK8-DUAL-GW-CAN      |
|                      | Single Port, Wall, 7.0m (23') Cable with 8' Cable Management Kit                                 | CPF50-L23-WALLMNT-CMK8-GW-CAN          |
|                      | Single Port, NACS, Wall, 7.0m (23') Cable  | CPF50-L23-GW-NACS-CAN                  |
|                      | Single Port, NACS, Pedestal, 7.0m (23') Cable  | CPF50-L23-PEDMNT-GW-NACS-CAN           |
|                      | Dual Port, J1772, Pedestal, 7.0m (23') Cable   | CPF50-L23-PEDMNT-Dual-GW-NACS-CAN      |
|                      | Dual Port, J1772, Pedestal, 7.0m (23') Cable with 8' Cable Management Kit                        | CPF50-L23-PEDMNT-CMK8-Dual-GW-NACS-CAN |
| Replacement Cable    | 5.4m (18'), 50A, J1772, Charging Cable   | CPFCABLE-T1-50A-L18-F                  |
|                      | 5.4m (18'). 50A, J1772, Charging Cable, CMK version  | CPFCABLE-T1-50A-L18-CMK-F              |
|                      | 7.0m (23'), 50A, J1772, Charging Cable   | CPxCABLE-T1-50A-L23-F                  |
|                      | 7.0m (23'), 50A, J1772, Charging Cable, CMK version  | CPFCABLE-T1-50A-L23-CMK-F              |
| NACS Conversion Kits | NACS Conversion Kit for CPF50. 7.0 m (23 ft), 50A, CMK version. Includes holster insert for NACS | CPFCABLE-50A-L23-CMK-NACS-KIT          |
|                      | NACS Conversion Kit for CPF50. 5.5 m (18 ft), 50A, CMK version. Includes holster insert for NACS | CPFCABLE-50A-L18-CMK-NACS-KIT          |

|                        |                                  |
|------------------------|----------------------------------|
| ChargePoint Cloud Plan | Please contact ChargePoint sales |
|------------------------|----------------------------------|

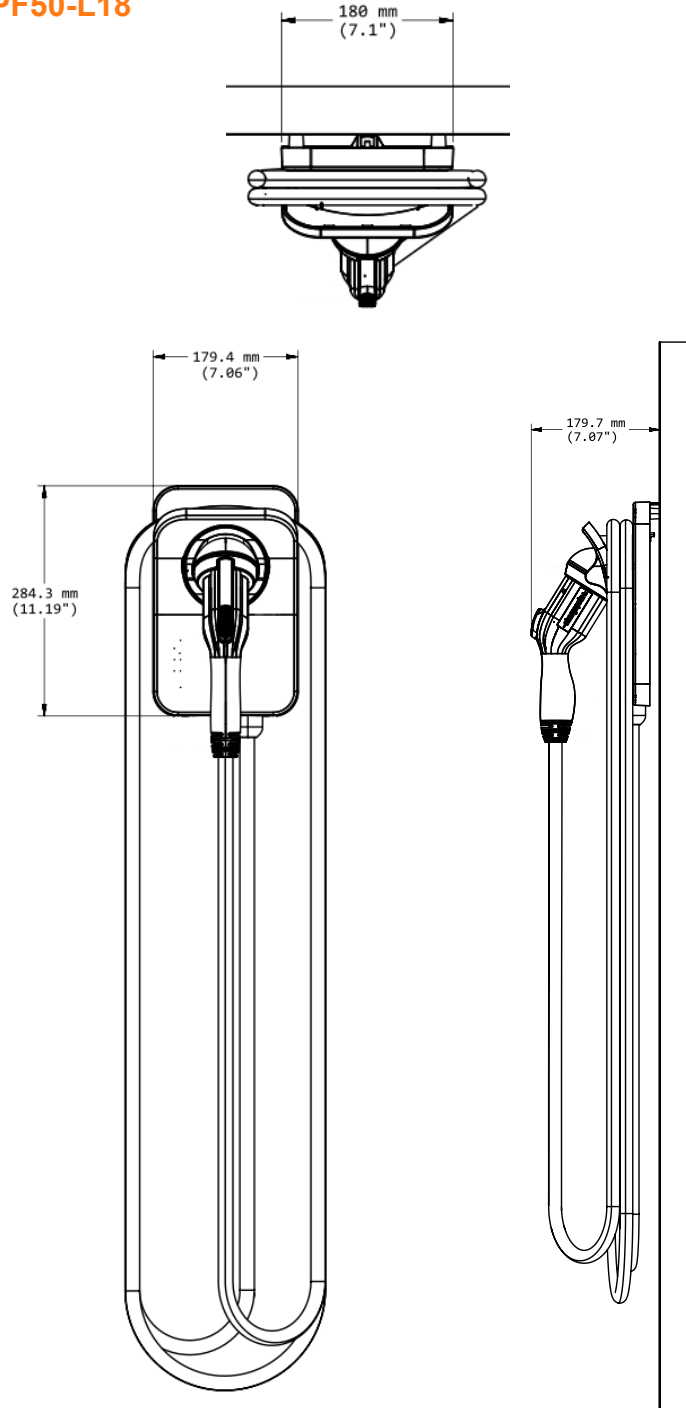
### Recommended Companion Products for Fleet Applications

| Description                | Order Code             |
|----------------------------|------------------------|
| Station Initial Activation | CPSUPPORT-ACTIVE       |
| ChargePoint Assure         | CPF-ASSURE- <i>n</i> * |

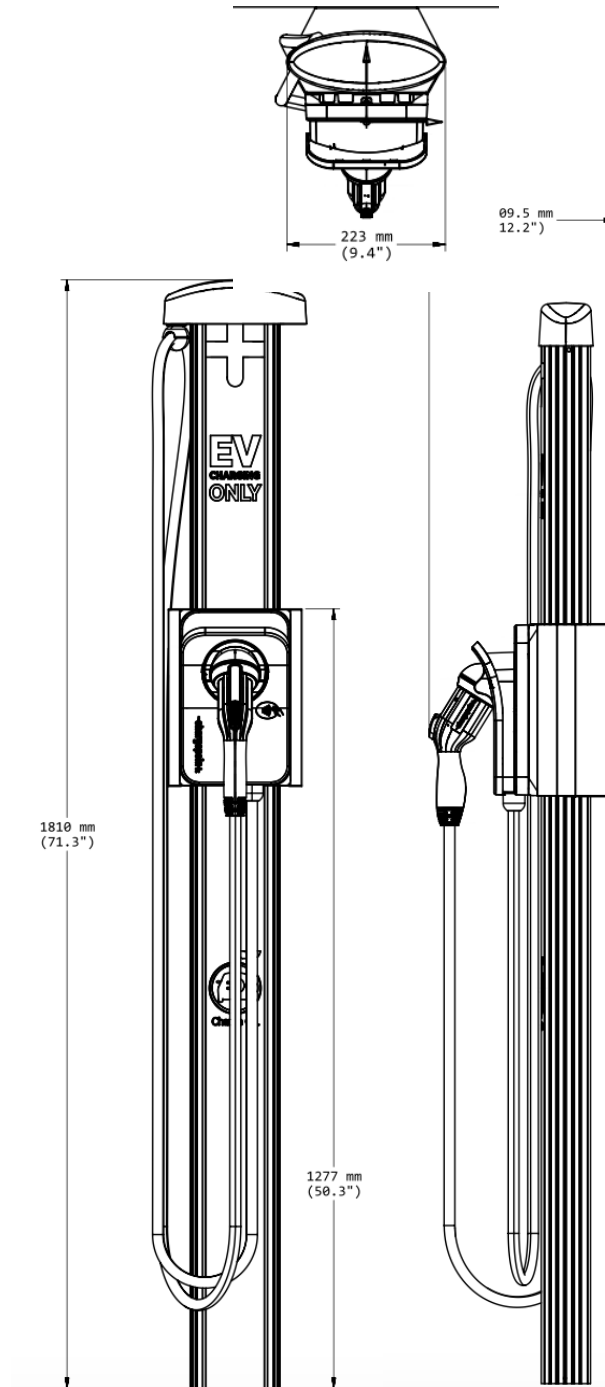
\*Substitute *n* for desired years of service (1, 2, 3, 4 or 5)

## Architectural Drawings (Dimensions)

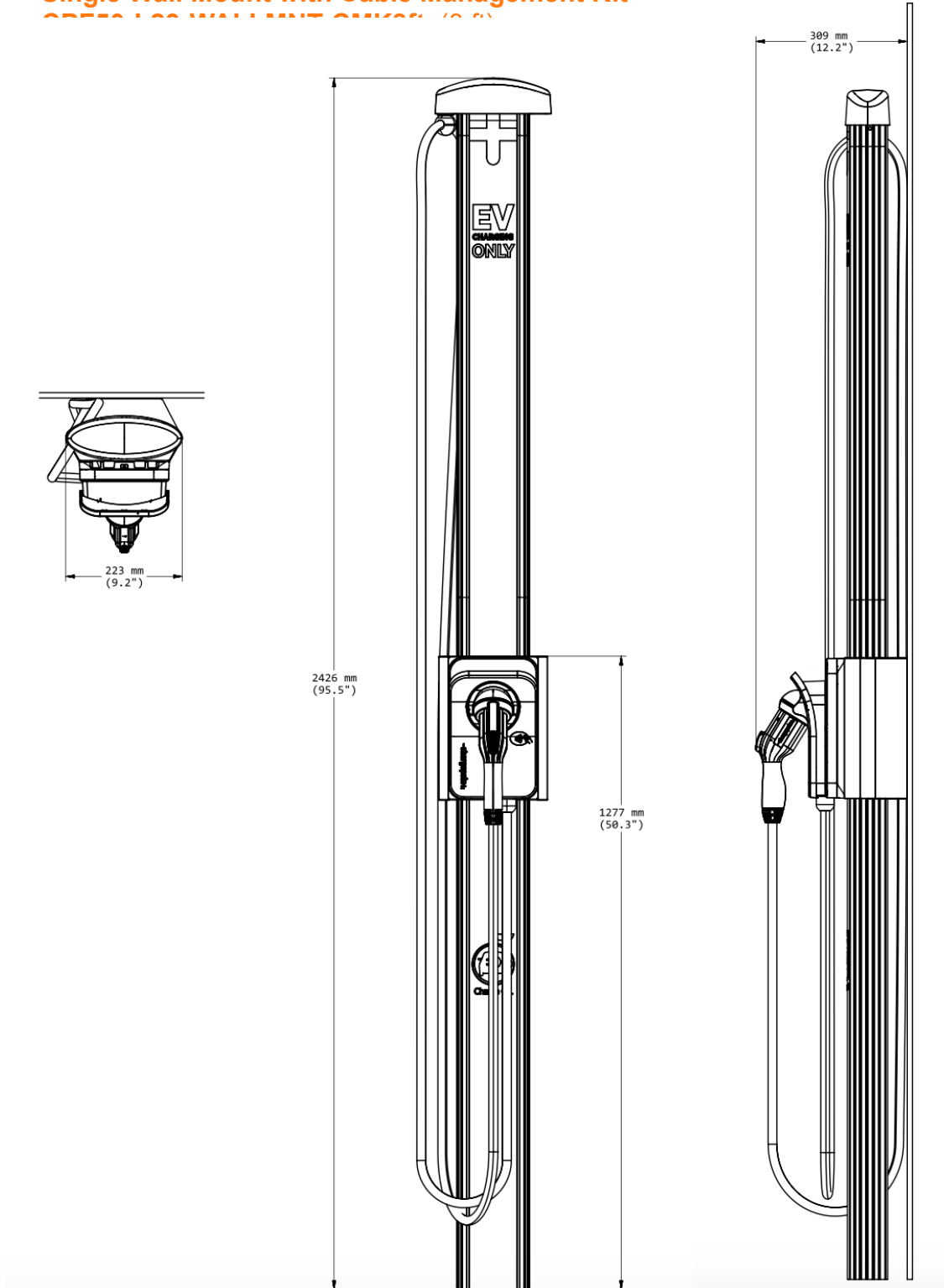
### Single Wall Mount CPF50-L23, CPF50-L18



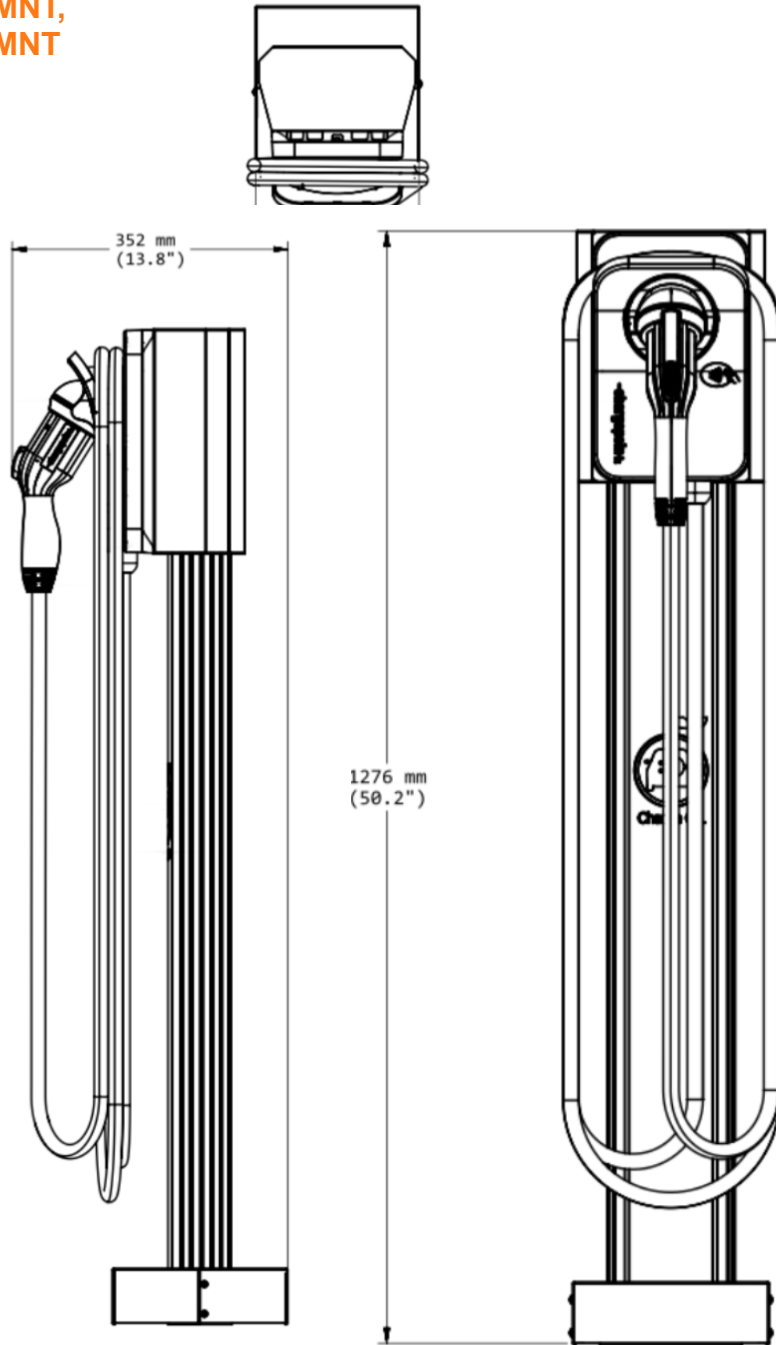
**Single Wall Mount with Cable Management Kit**  
**CPF50-L18-WALLMNT-CMK6ft (6 ft)**



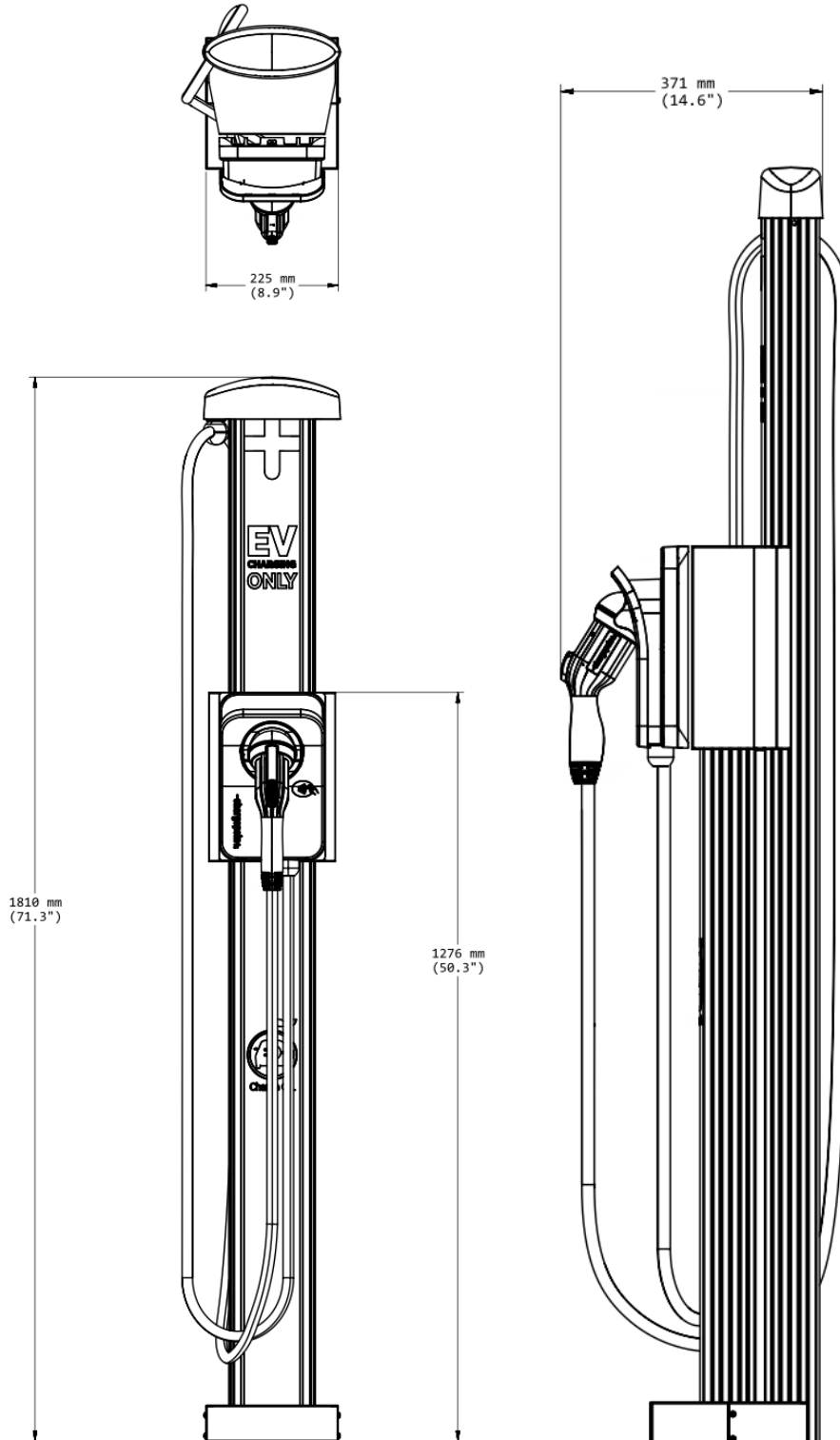
**Single Wall Mount with Cable Management Kit**



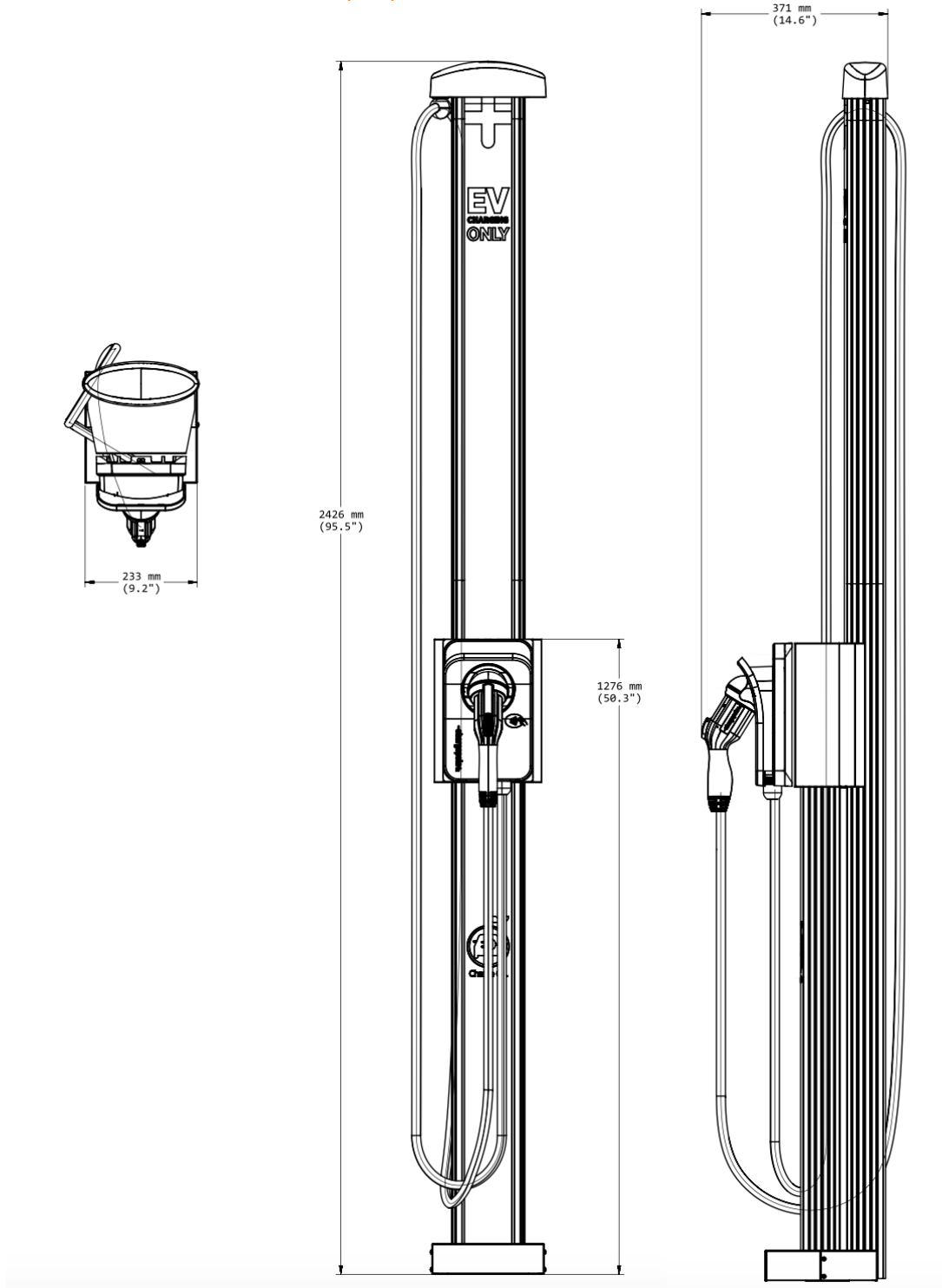
**Single Pedestal Mount**  
**CPF50-L23-PEDMNT,**  
**CPF50-L18-PEDMNT**



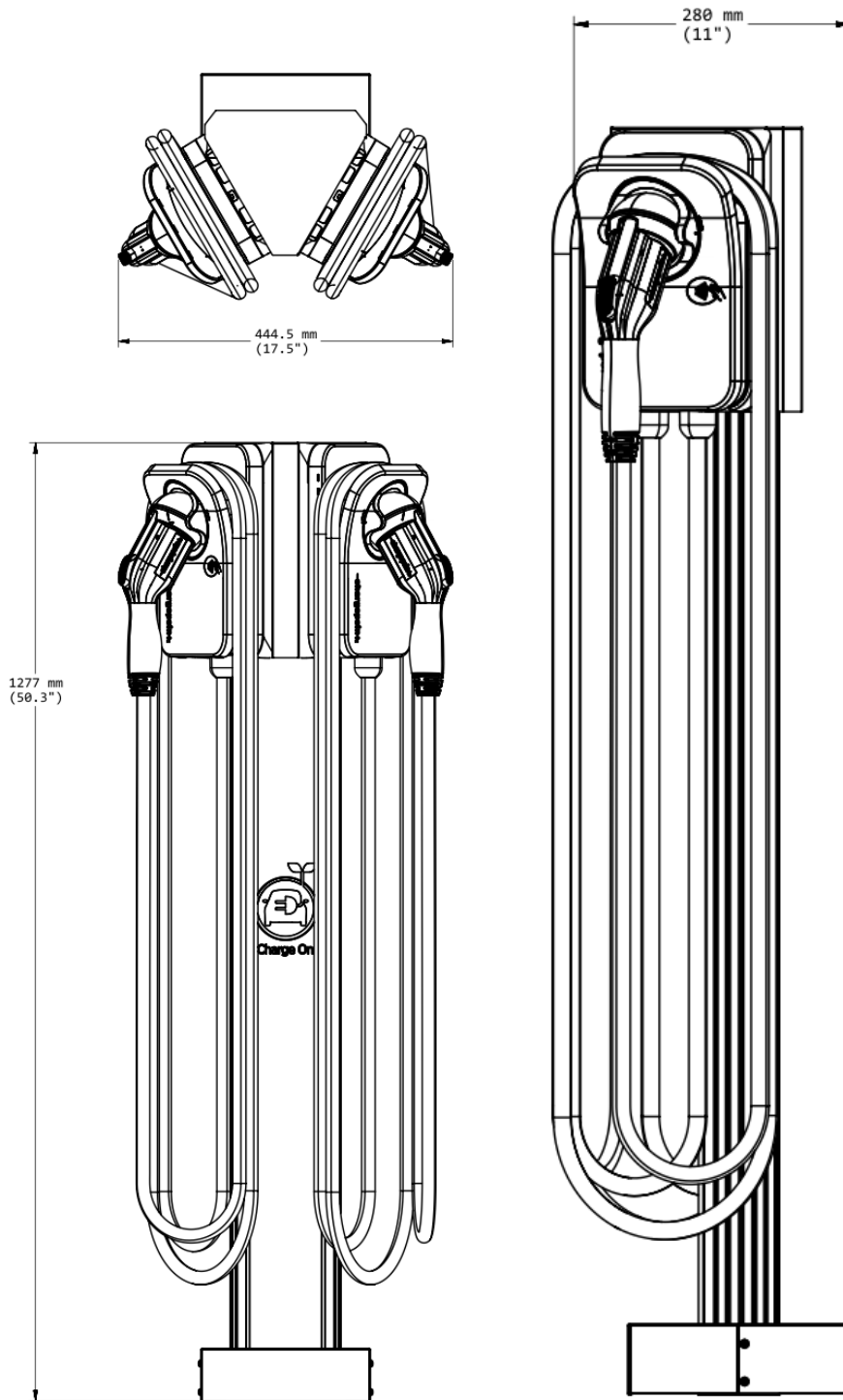
**Single Pedestal Mount with Cable Management Kit**  
**CPF50-L18-PEDMNT-CMK6 (6 ft)**



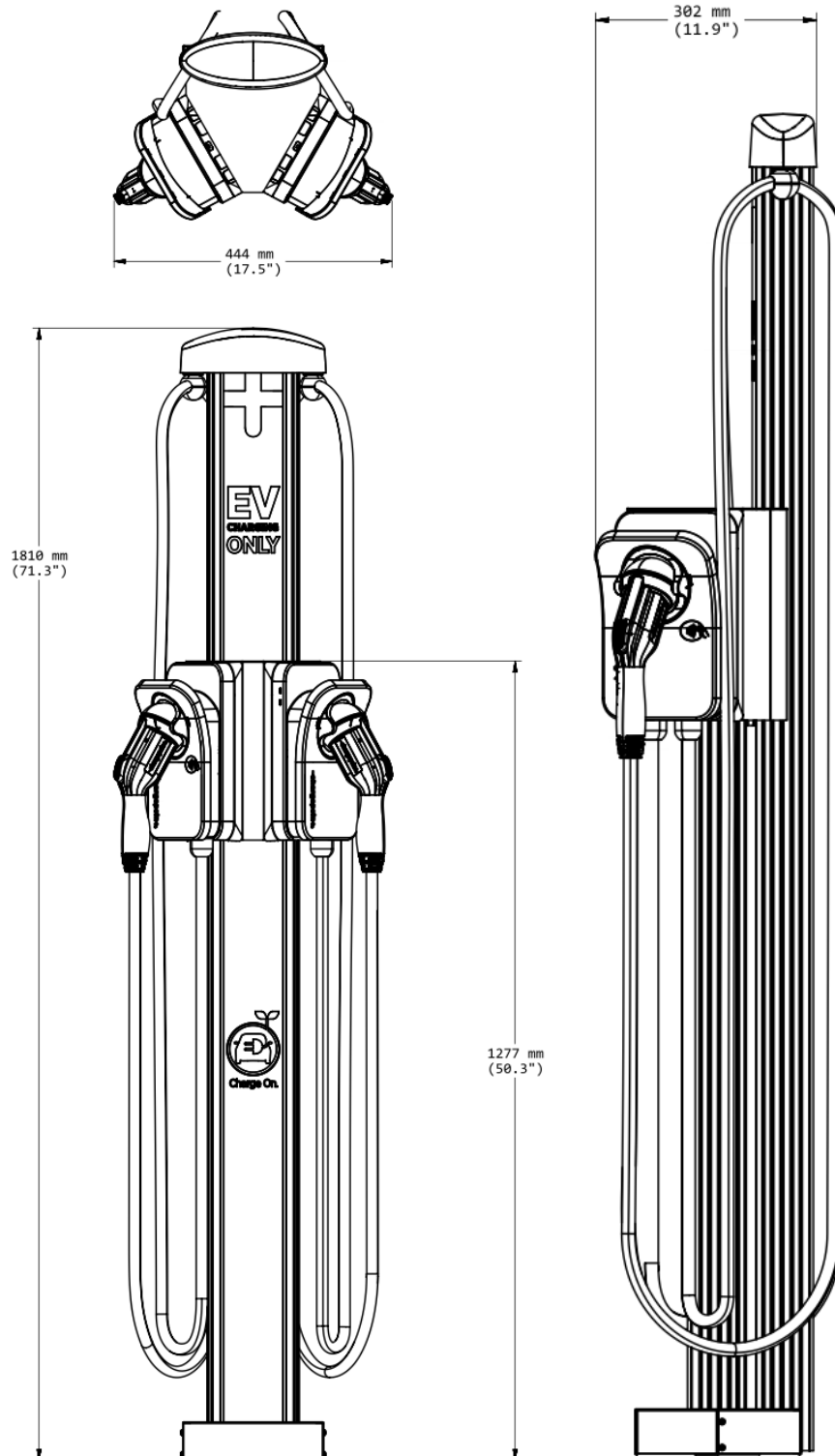
**Single Pedestal Mount with Cable Management Kit  
CPF50-L23-PEDMNT-CMK8 (8 ft)**



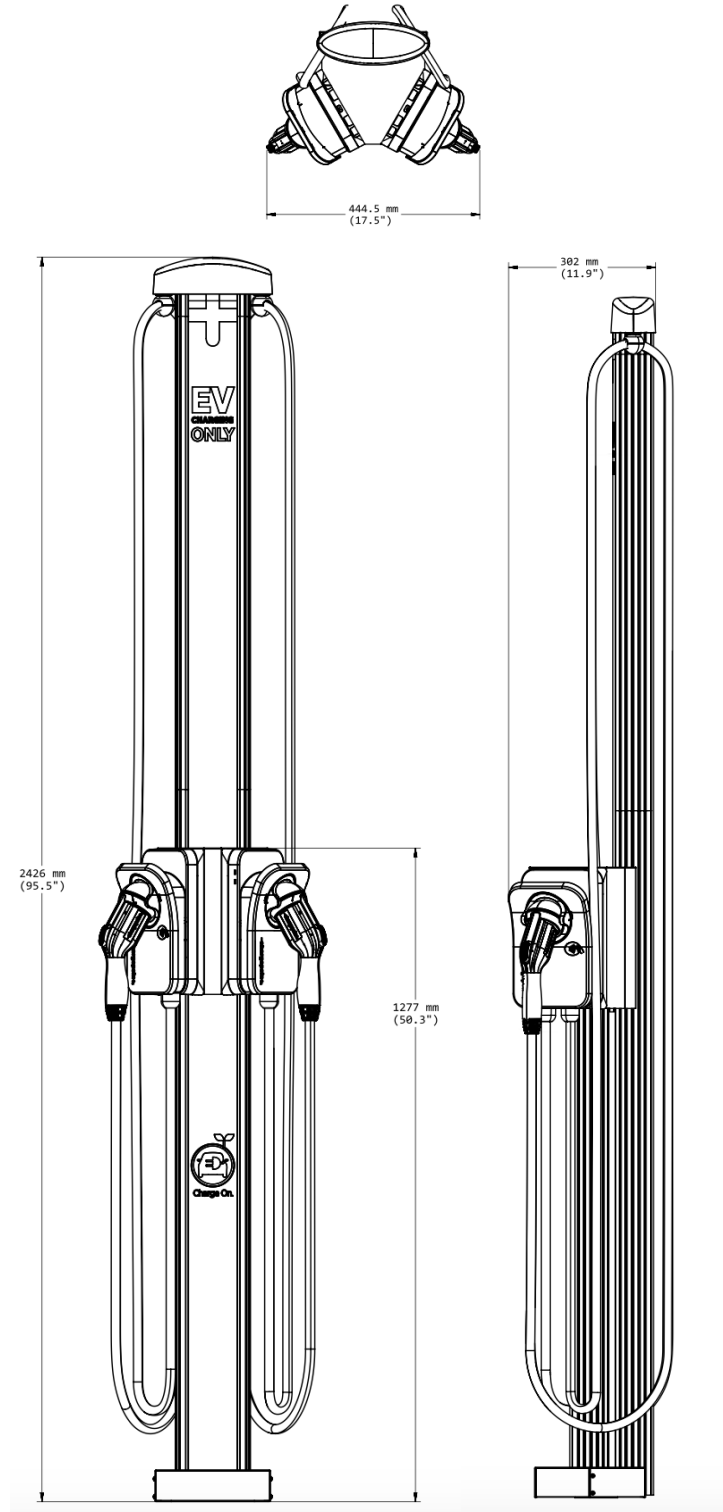
**Dual Pedestal Mount**  
**CPF50-L23-PEDMNT-Dual, CPF50-L18-PEDM**



**Dual Pedestal Mount with Cable Management Kit**  
**CPF50-L18-PEDMNT-CMK6-Dual (6 ft)**



**Dual Pedestal Mount with Cable Management Kit**  
**CPF50-L23-PEDMNT-CMK8-Dual (8 ft)**





## General Specifications

### Electrical Input

CPF50 supports flexible current settings up to 50A to fit your needs.

Power Select allows CPF50 stations to be installed and software-configured for current input/output lower than the maximum 50A rating depending on your electrical and charging requirements. CPF50 Power Select current input/output options include 16A, 24A, 32A, 40A, and 48A.

Power Share allows two stations to share power from a single circuit dynamically across the stations, adjusting each station’s power output depending on whether one or both are actively charging. Standard wiring uses an independent circuit for each station. Power Share can be used in combination with Power Select.

| Electrical Input                     | One Station<br>(AC Voltage 208 / 240V AC)                                 |  |  | Two Stations<br>(AC Voltage 208 / 240V AC)                 |  |   |
|--------------------------------------|---|--|--|--|--|---|
|                                      | Input Current   | Input Power Connection                                     | Required Service Panel Breaker                             | Input Current  | Input Power Connection   | Required Service Panel Breaker                              |
| Maximum 50A (Standard)               | 50A   | One 70A branch circuit                                     | 70A dual pole (non-GFCI)                                   | 50A x 2  | Two independent 70A branch circuits                                      | 70A dual pole (non GFCI) x 2                                |
| Maximum 50A (Power Share)            | N/A   | N/A  | N/A  | 50A  | One 70A branch circuit split to two                                      | 70A dual pole (non GFCI)                                    |
| Power Select 16A - 48A (Standard)    | 16A - 48A   | One branch circuit rated 125% of input current (20A - 60A) | Dual pole (non-GFCI) rated 125% of input current (20A-60A) | 16A - 48A x 2  | Two independent branch circuits rated 125% of input current (20A - 60A)  | Dual pole (non-GFCI) rated 125% of input current x 2        |
| Power Select 16A - 48A (Power Share) | N/A   | N/A  | N/A  | 16A - 48A  | One branch circuit rated 125% of input current (20A to 60A) split to two | Dual pole (non-GFCI) rated 125% of input current (20A- 60A) |
| Service Panel/Breaker GFCI           | Do not provide external GFCI as it may conflict with internal GFCI (CCID) |  |  |  |  |   |
| Wiring – Standard                    | 3-wire (L1, L2, Earth)<br>No neutral                                      |  |  | 3-wire (L1, L2, Earth) x 2<br>No neutral                   |  |   |
| Wiring – Power Share                 | N/A   |  |  | 3-wire (L1, L2, Earth) split to 3-wire (L1, L2, Earth) x 2 |  |   |



|                        |   |   |
|------------------------|---|---|
| Station Power          | 2.5W typical (standby),<br>4W maximum (operation) | 5W typical (standby),<br>8W maximum (operation) |
| Line to Ground Voltage | 120V +/- 10%                                      |   |

### Electrical Output

| Electrical Output                    | Single Port<br>(AC Voltage 208 / 240V<br>AC) | Dual Port<br>(AC Voltage 208 / 240V<br>AC)   |
|--------------------------------------|--|--|
| Maximum 50A (Standard)               | 12 kW (240V AC @ 50A)                        | 12 kW (240V AC @ 50A)  |
| Maximum 50A (Power Share)            | N/A  | 12 kW (240V AC @ 50A) x 1<br>or<br>6 kW (240V AC @ 25A) x 2                                  |
| Power Select 16A - 48A (Standard)    | 3.8 kW – 11.5 kW (240V AC @ 16A - 48A)       | 3.8 kW – 11.5 kW (240V AC @ 16A - 48A) x 2   |
| Power Select 16A - 48A (Power Share) | N/A  | 3.8 kW – 11.5 kW (240V AC @ 16A - 48A) x 1<br>or<br>1.9 kW – 5.8 kW (240V AC @ 8A - 24A) x 2 |

### Functional Interfaces

|                                  |                           |
|----------------------------------|---------------------------|
| Connector Types                  | SAE J1772™, NACS          |
| Cable Length                     | 5.4 m (18'), 7.0 m (23')  |
| Overhead Cable Management System | Optional                  |
| Card Reader                      | ISO 15693 and ISO 14443   |
| ISO 15118 Protocol               | Supported by the hardware |
| Network Communication Protocol   | OCPP 1.6                  |

### Indicators

|                        |     |
|------------------------|-----|
| WiFi LED               | Yes |
| Fault Indicator per UL | Yes |



|            |     |
|------------|-----|
| Status LED | Yes |
|------------|-----|

### Safety and Connectivity Features

|                              |   |
|------------------------------|---|
| Ground Fault Detection       | 20mA CCID with auto retry   |
| Open Safety Ground Detection | Continuously monitors presence of safety (green wire) ground connection |
| Plug-Out Detection           | Power terminated per SAE J1772™ specifications                          |
| Power Measurement Accuracy   | +/- 2% from 2% to full scale (50A)                                      |
| Power Report/Store Interval  | 15 minute, aligned to hour  |
| Local Area Network           | 2.4/5 GHz Wi-Fi (802.11 a/b/g/n)  |
| Wide Area Network            | 4G LTE or provided by the ChargePoint Gateway CPGWx if installed        |

### Safety and Operational Ratings

|                          |   |
|--------------------------|---|
| Station Enclosure Rating | Type 3R per UL 50E  |
| Safety and Compliance    | UL and C-UL listed; complies with UL2594, UL2231-1, UL 2231-2. NEC Article 625 compliant. For Canada CSA C22.2, No. 280, 281.1, 281.2, CED UL and C-UL listed per UL916 Energy Management Equipment |
| Station Surge Protection | 6 kV @ 3000A. In geographic areas subject to frequent thunder storms, supplemental surge protection at the service panel is recommended   |
| EMC Compliance           | FCC Part 15 Class B   |
| Storage Temperature      | -40°C to +60°C (-40°F to 140°F)   |
| Operating Temperature    | -40°C to +50°C (-40°F to 122°F)   |
| Operating Humidity       | Up to 95% @+50°C (122°F) non-condensing   |
| Non-Operating Humidity   | Up to 95% @+50°C (122°F) non-condensing   |

ChargePoint, Inc. reserves the right to alter product offerings and specifications at any time without notice, and is not responsible for typographical or graphical errors that may appear in this document